

USER'S MANUAL

2KSS6050/5060

2nd Edition

Frequency Converter

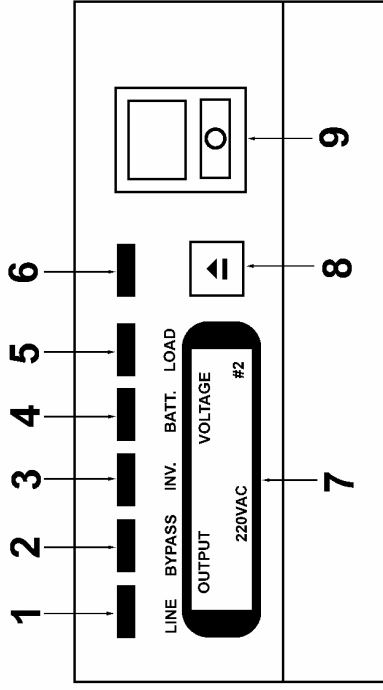
Visicomm Industries LLC
4525 Sheridan Rd.
Racine WI 53403

1. INTRODUCTION

The conversion of electrical power is an essential requirement for export testing or operation of equipment brought to the U.S. from abroad. The KSS series Frequency Converter is designed to meet these needs as it supplies reliable, pure and stable power at an affordable price.

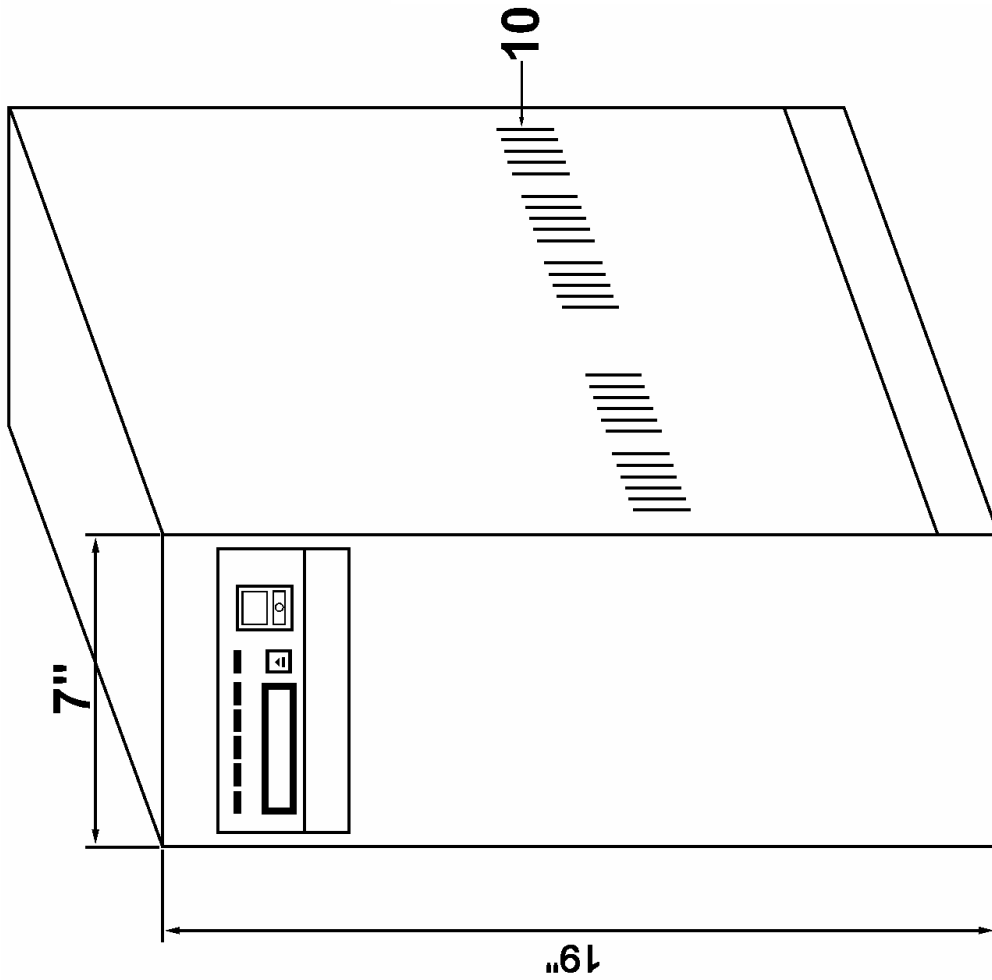
This Converter is designed with the following unique features

- Double Conversion IGBT module, Single control board design, eliminates adjustment, and minimizes maintenance.
- LCD display for unit status, user friendly design
- Special overload capacity design, 150% overload for 30 sec.
- Built-in isolation transformer to ensure total isolation between the input and output.
- Special airflow control to avoid dust accumulation. Suitable for any rough operating environments.
- Compact size, light weight.



2.1 FRONT PANEL

- 1-6: See Next Page.
- 7. LCD DISPLAY
- (1) INPUT VOLTAGE (3) INPUT FREQUENCY
- (2) OUTPUT VOLTAGE (4) OUTPUT FREQUENCY
- (5) OUTPUT POWER
- (6) NO OUTPUT
- 8. LCD Switch: Display items can be changed using the LCD switch.
- 9. PUSH ON-OFF SWITCH: This switch turns the converter on or off.
- 10. VENTILATION LOUVERS: Please keep the ventilation louvers clean.



DEPTH = 21.75"

**2KSS6050/5060
FREQUENCY CONVERTER
(FRONT)**

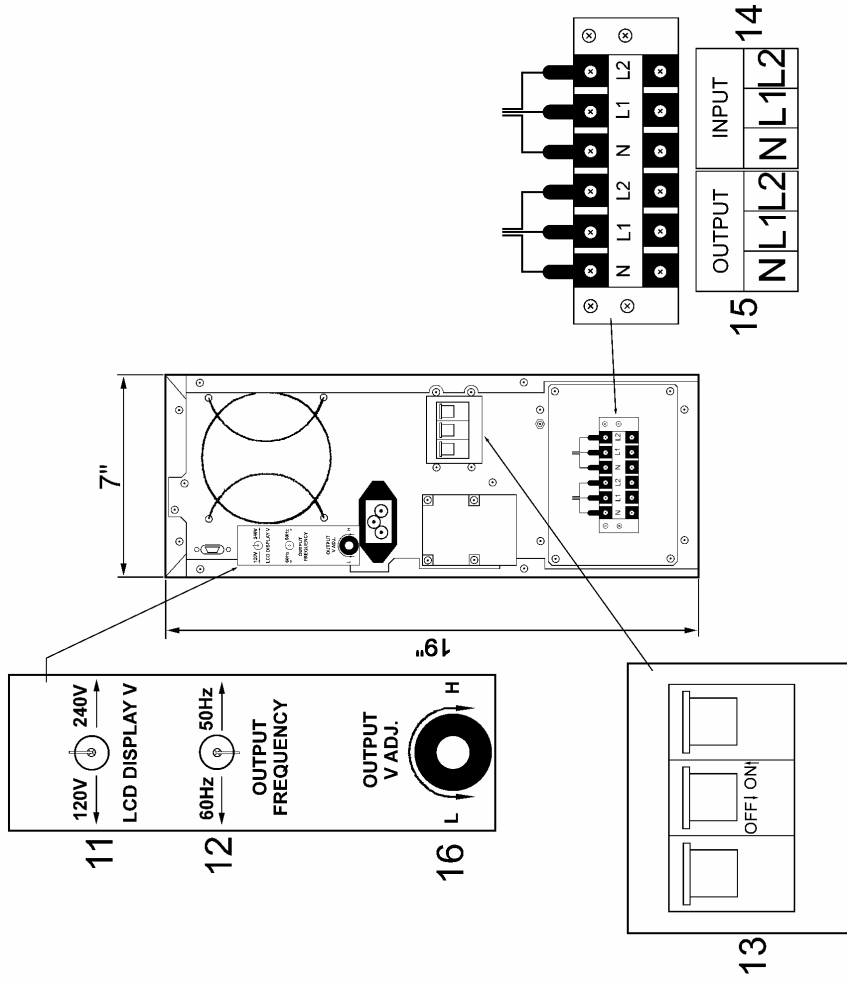
2.2 LED Explanation

(Refer to Image on previous page)

1. LINE: (Green LED) When this LED is lit, it indicates that the AC Line input voltage (either 120VAC or 220VAC, depending on connection) is connected, the breaker is set to the 'on' position, and voltage is being applied.
2. BYPASS: Not Applicable
3. INV.: (Green LED) After a 10 second (approximate) internal startup delay, this LED lights to indicates that the unit is converting the frequency to the specified parameters (60 to 50, 50 to 60, et al).
4. BATT.: Not applicable, unless optional battery backup has been ordered.
5. LOAD: (Amber LED) When the load % (accessible for view through the LCD screen) reaches 120% (and over), the unit beeps, and this LED lights to alert the operator of an overload condition.
6. FAULT: (Red LED) When this LED is lit, it indicates that there is an internal problem, please contact Visicomm for further information, and instructions.

2.3 REAR PANEL

11. LCD Display selector switch.
12. Frequency selector switch
13. Main Input breaker (SWA). Controls the AC Commercial input Power, in addition This breaker trips If the output power Is subject to a Dead short.
14. Input terminal: The input power leads will be connected to the terminal block either 120VAC range or 220VAC range (See spec. sheet)
15. output terminal: 120V L-N output Voltage adjustment potentiometer
17. Ground terminal



CAUTION:

SINGLE PHASE 120V OUTPUT
CONNECT N TO THE SYSTEM
"NEUTRAL". L1 IS THE 120V
OUTPUT

2KSS6050/5060
 FREQUENCY CONVERTER
 (BACK)

Input Power Connections and Grounding

System Ground Connection:

The Earth Ground should be provided by the utility. This is normally the “GREEN” wire provided by the utility which at some point is routed to a secure earth ground such as a water pipe. This wire should be connected to the screw post marked GND on the Converter (See photo for location).

Note that there are no internal electrical connections to this wire with the exception of a small high frequency bypass capacitor for RF suppression. Therefore, the function of the Earth Ground is simply to maintain the case of the Converter at ground potential. Visicomm Industries (LLC) does not recommend any other connection to the Earth Ground wire which may introduce significant amounts of current and thereby defeat the intended purpose of this wire which is the safety of the operating personnel. In particular, do not connect this wire to the system neutral wire at any point.

Output Connection:

The Power OUTPUT Connections are provided by three barrier terminal posts labeled N, L1, and L2. These three terminals constitute the three terminals of an internal auto-transformer where L1 is the “center tap”. This is fed by the output winding of a switching transformer. Since the only other internal connections are a resonating capacitor, the cooling fans, and sensing circuits (to maintain an output sine wave), these output terminals are electrically isolated from any other circuits including the system neutral.

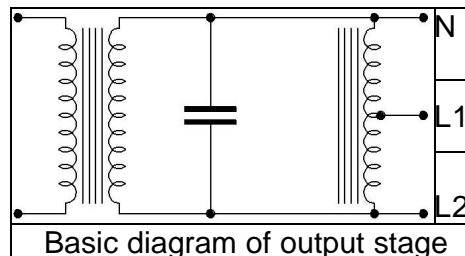
The Converter is shipped with these OUTPUT connections electrically isolated. If a digital voltmeter is connected between any one of these OUTPUT terminals and the Earth Ground, a significant voltage reading will be obtained. This voltage is due to a small leakage current and is not considered a problem since only 1 or 2 ma is involved.

Output Isolation:

Many applications require an **isolated output**, primarily for safety reasons, when supplying power to a device under test especially if there will be other monitoring equipment connected to the device. Other applications can take advantage of the low leakage current of the Converter (about 1 or 2 ma). This can be useful in systems where the individual leakage currents of the components might exceed the allowed leakage current of a ground fault interrupter.

Other applications require that the **output have a connection to the utility NEUTRAL**. Normally this would be OUTPUT terminal N (The exception would be a two phase output where L1 would be the connection to the system NEUTRAL). The Converter is supplied with a short jumper wire. If the system NEUTRAL is used to power the INPUT terminals and it is required that the OUTPUT be connected to NEUTRAL this jumper can be employed to make this connection.

If the INPUT is supplied by two phase AC or by two phases of a three phase system (in other words, if you have only two incoming power wires), this NEUTRAL would not be present and an external wire from the desired OUTPUT terminal to the system NEUTRAL would be required. See INPUT CONNECTION DIAGRAM on next page.



INPUT POWER CONNECTIONS

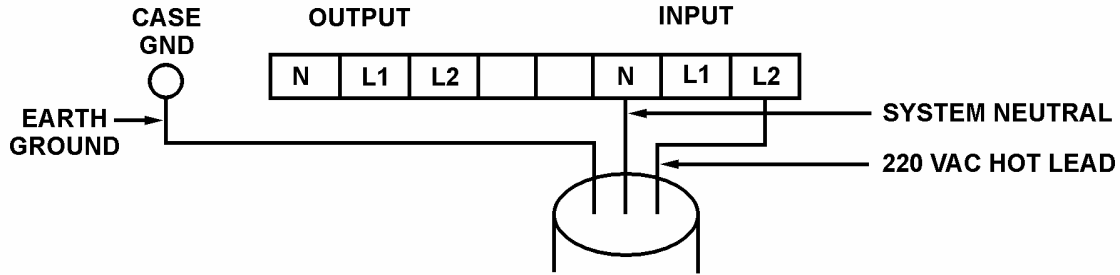
The frequency of the input power can be 50 or 60 Hz, and is not related to the output frequency

CAUTION:

The Input is Electrically Isolated from the output.
It is necessary to connect the input using one of the following four methods.

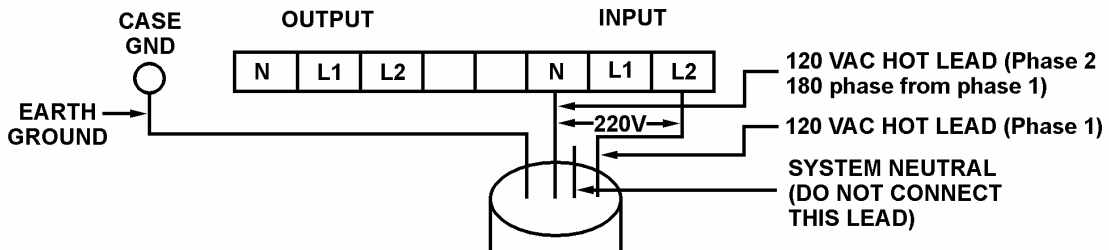
A. SINGLE PHASE 220V INPUT

This connection is usually used in 50Hz countries where a neutral is normally available.

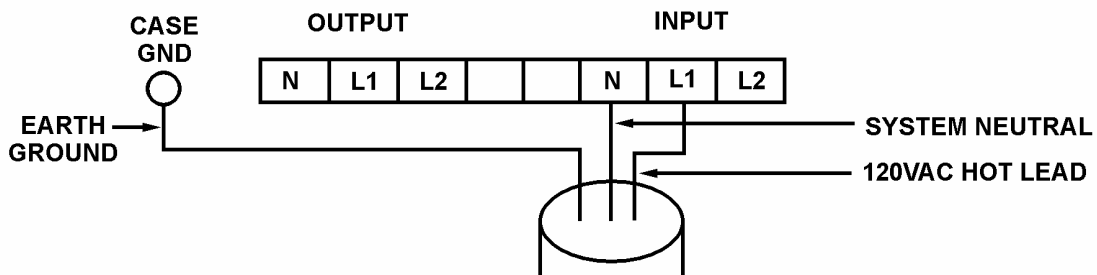


B. SPLIT PHASE 220V INPUT

This connection is usually used in 60Hz countries where a 220V line is not normally available, and where the input amperage makes using 120V inconvenient.

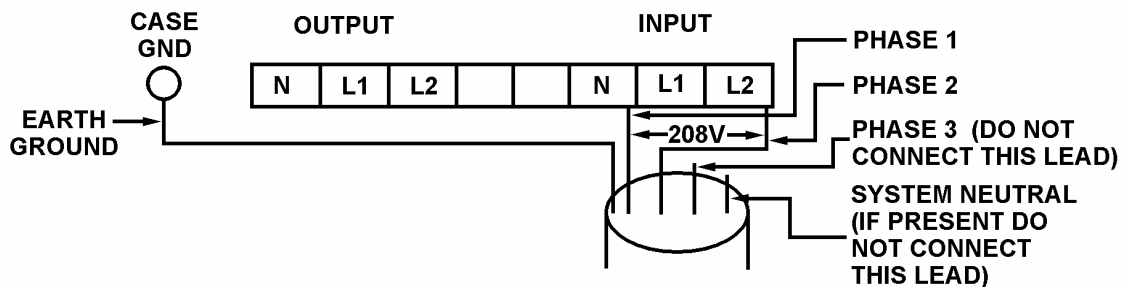


C. SINGLE PHASE 120V INPUT



D. THREE PHASE 120/208 VAC USING LINE TO LINE INPUT

To be used if the 120V line to neutral connection is limited by the amperage available.



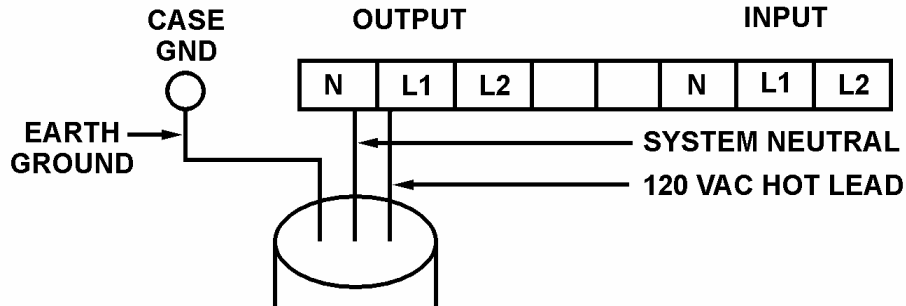
OUTPUT POWER CONNECTIONS

The frequency of the output power can be 50 or 60 Hz, and is not related to the input frequency

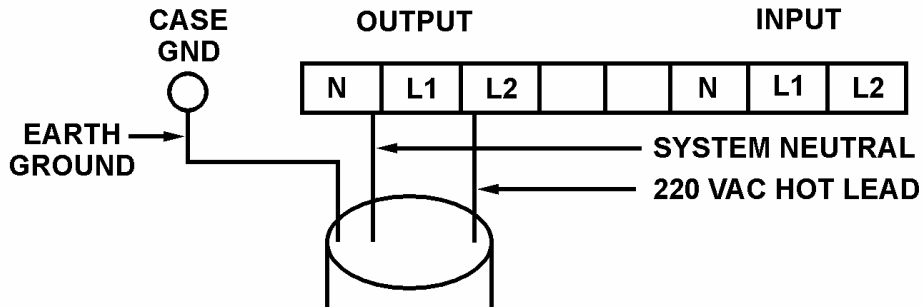
CAUTION:

The output is "floating" and is electrically isolated from the input.
It is necessary to connect the output using one of the following three methods.
Note that these output voltages are widely adjustable using the voltage adjust rheostat.

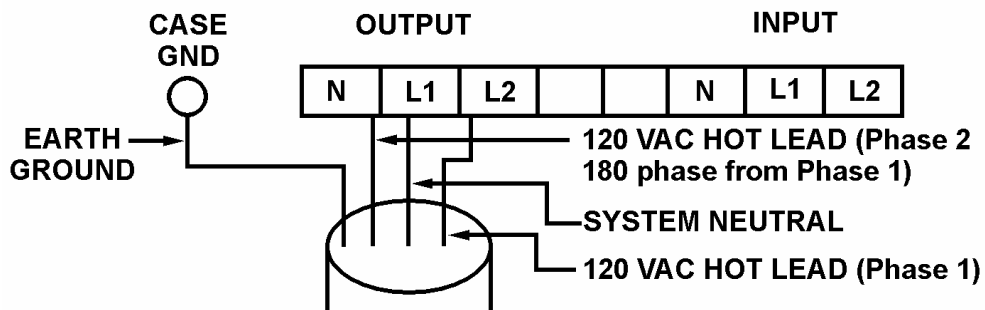
A. SINGLE PHASE 120V OUTPUT



B. SINGLE PHASE 220V OUTPUT



C. SPLIT PHASE 220V OUTPUT



4. SPECIFICATION

Model	2KSS6050/5060		
Capacity	2KVA /1.4kW Input Current Requirement @ 220V, 10.3A –120V, 19.1A		
Input	Voltage	120 or 220VAC	
	Voltage Range	120V –15%/+20% or 220V –15%/+20%	
	Frequency	50 Hz or 60 Hz \pm 5%	
	Phase	Single	
Output	Voltage	120 or 220VAC \pm 20%	
	Voltage Regulation	\pm 1 %	
	Frequency	50 Hz or 60 Hz (400Hz available)	
	Frequency Regulation	\pm 0.0004% (xtal oscillator)	
	Harmonic Distortion	< 3% at 100% Linear Load	
	Output Waveform	Pure Sinewave	
	Output Current @ .7pf	120V-16.6A, 220V-9A	
Non-Linear Peak Current	120V-24.6A, 220V-13.5A for 30 sec.		
Power Factor	0.7		
Efficiency	AC to AC	> 85%	
Protection	Overload Capacity	110%continuous, 110-150% load 30 seconds, over 150% causes unit to shut down. Auto restart upon removal of overload	
	Short Circuit	Unit will cut out and must be manually restarted	
	EMI Filter	10-100KHz at 40dB, 100KHz-100MHz at 70dB	
	Over Temperature	Inverter auto cut-off when heat sink temp. over 80°C.	
Audible Alarm	Overload	Sounds continuously	
	Converter Fault	Sounds continuously	
Indicators	LCD	Converter status, INPUT & OUTPUT voltage-frequency, loading %	
	LED	Line: Green LED Fault: Red LED	Inverter: Green LED Overload: Yellow LED
Environment	Operation Temp.	-10°C to 50°C; 14°F to 122°F	
	Relative Humidity	20-90% non-condensing	
	Audible Noise	<45dB	
Physical Dimensions	Net Weight	144lbs / 64.8kg	
	Depth	21.75in / 55.25cm	
	Width	7in / 17.78cm	
	Height	19in / 48.26cm	